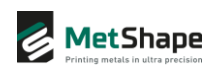




3D SPARK

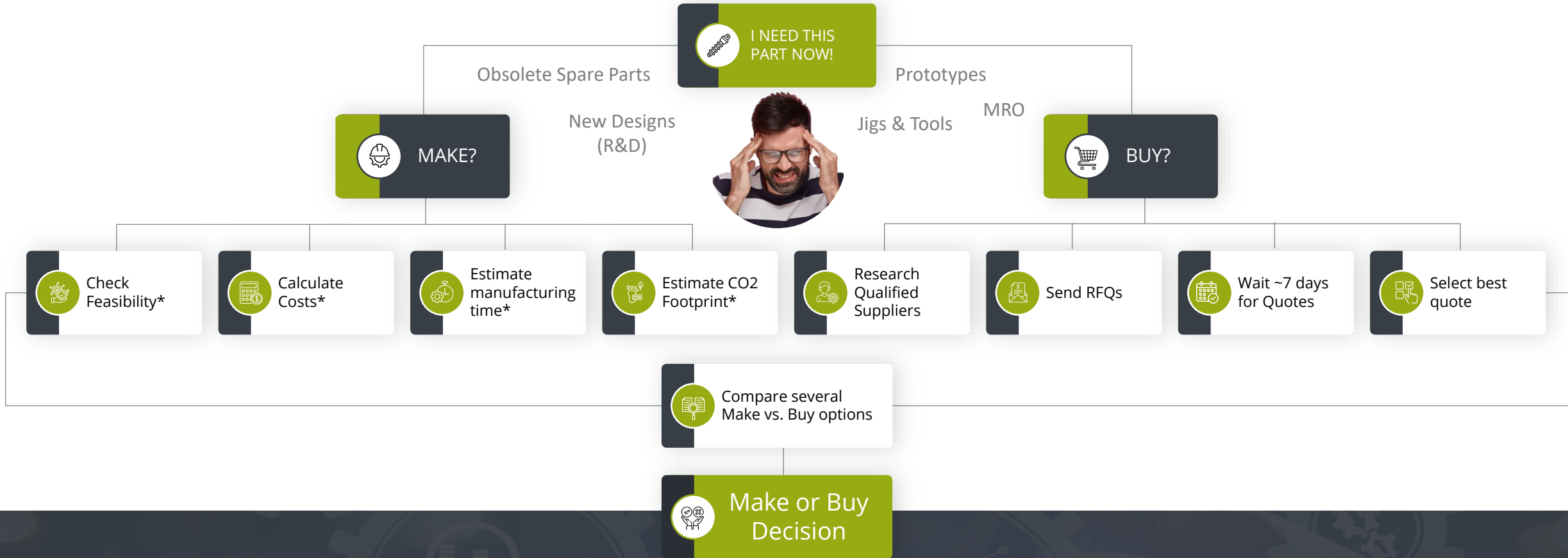
Data driven manufacturing decisions

Trusted by Enterprises & Suppliers:





Inefficient Make Or Buy Decisions and Procurement Cost Millions



Challenges:

High Lead Times:

- 7 days - 6 months+ delay
- Asset downtime, penalty, lost revenue

Opportunity costs:

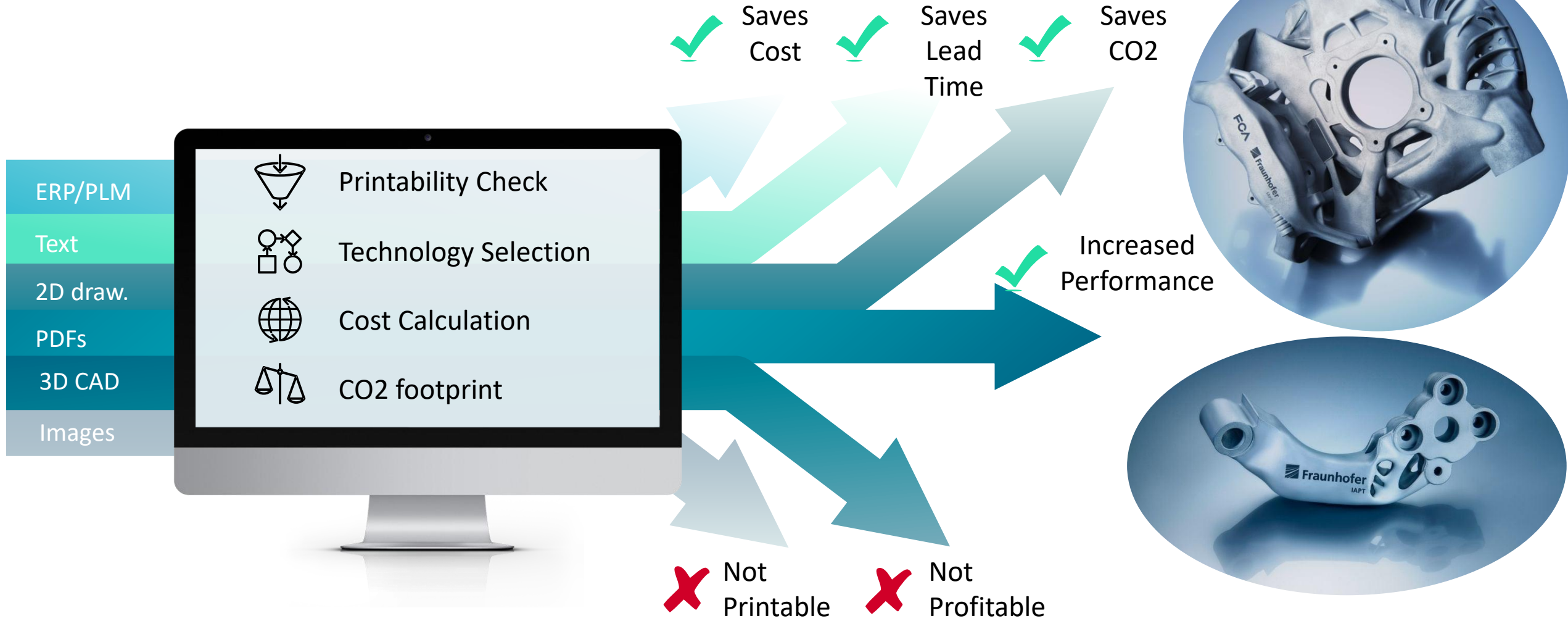
- 100€/part/day = 50k€+ 6 months
- €5M for 100 delayed parts!

High Expert dependency:

- 3-10+ experts involved
- 5+ expert software tools needed

Discover Cost, Lead Time, and CO₂ Savings – Efficiently at Scale

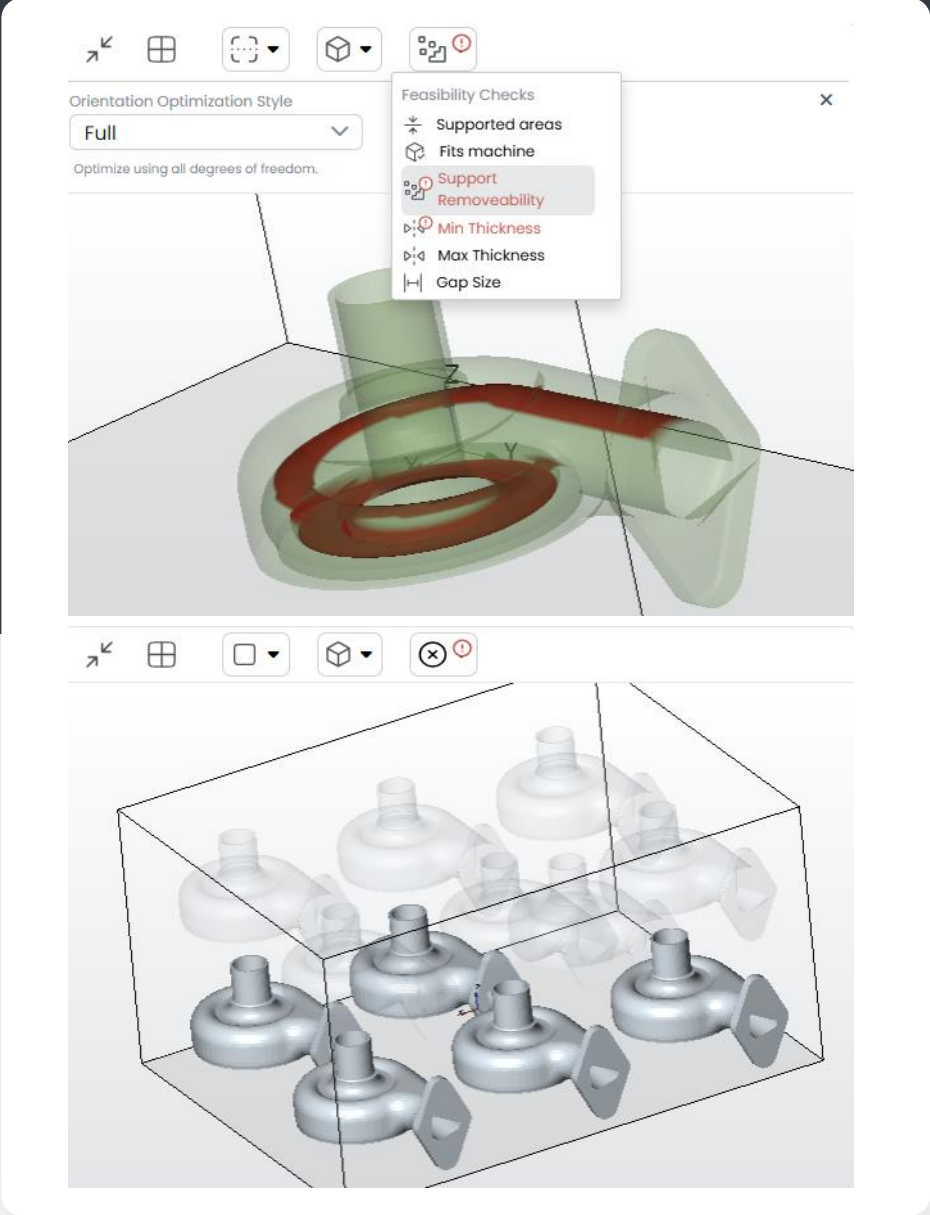
Screen 10,000+ Parts Across Multiple Technologies



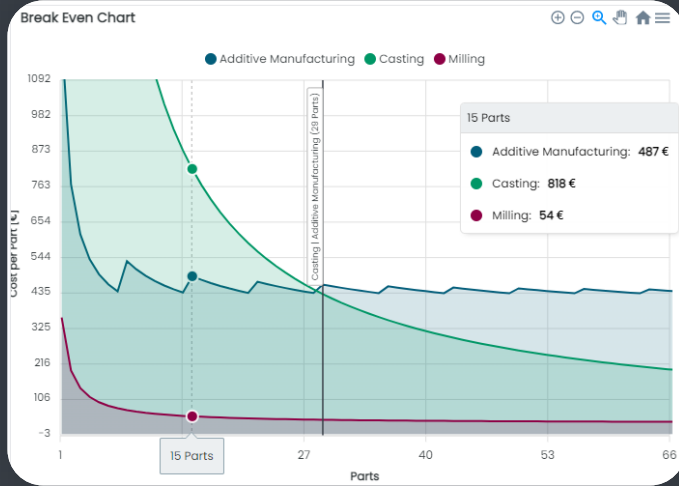
Manufacturability Analytics

- 1 Part size (machine, process)
- 2 Wall thickness
- 3 Gap size
- 4 Support & powder removability
- 5 Radii

Overall Feasibility Configure		89%		
Wall Thickness <small>Is wall thickness distribution of part suitable.</small>	Minimal	Priority - Regular	99%	
	Maximal	Priority - Regular	100%	
Gap Size <small>Are the gaps between walls small enough.</small>		Priority - Regular	100%	
Fits Process <small>Are bounding box dimensions of part suited for manufacturing process.</small>	Minimal	Priority - Regular	100%	
	Maximal	Priority - Regular	100%	
Fits Machine <small>Does part fit inside the machine envelope without protruding.</small>		Priority - Regular	100%	
Support Removability <small>Are supports sufficiently reachable for removal.</small>		Priority - Regular	90%	



Technology Selection



- 1 16 Manufacturing Technologies
 - 13 AM technologies
 - CNC Milling
 - (Rapid) Casting
 - Injection molding
- 2 Process chain generation, editing & comparison
- 3 Break-Even Analysis



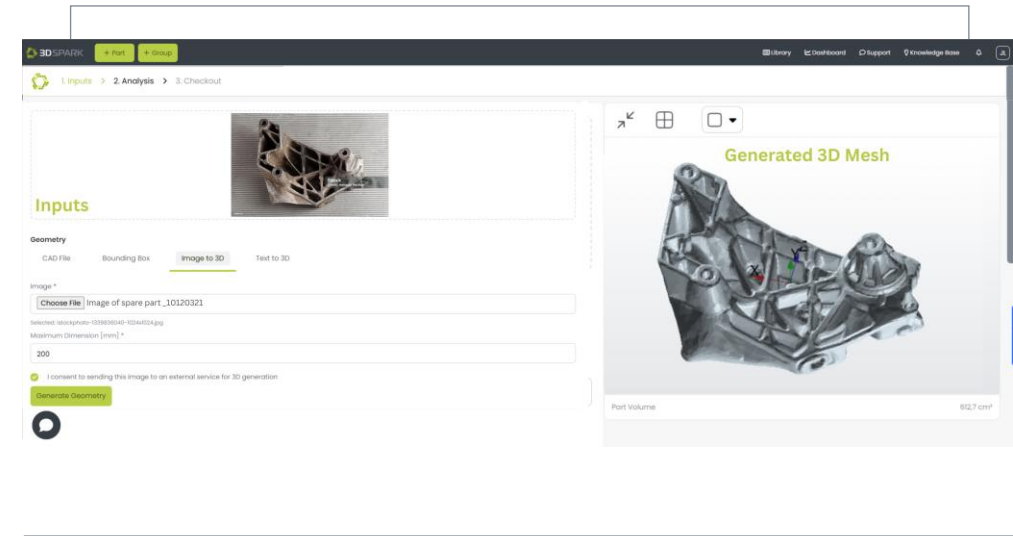
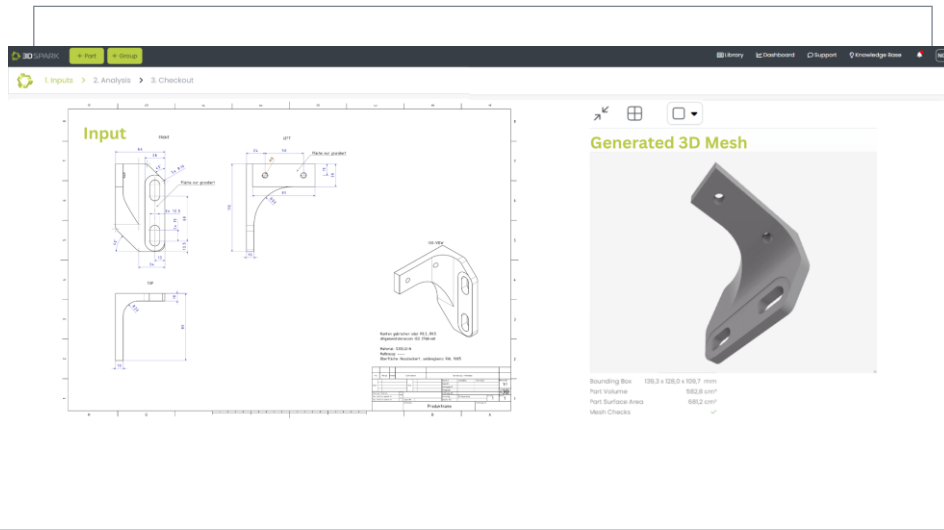
Part Job [Ø 5] Lot [25]

To add new Process Steps hover next to the side of each step.

Pre Process	Main Process	Post Process			
Data Preparation x Calculated on lot level Labor 00 : 02 h Machine 00 : 02 h <hr/> Cost 1,81 €	Build Process Calculated on job level Labor 00 : 30 h Machine 18 : 16 h <hr/> Cost 964,26 €	Tempering (Stress Relieving) x Calculated on job level Labor 00 : 02 h Machine 00 : 26 h <hr/> Cost 16,85 €	Plate Removal (EDM) x Calculated on job level Labor 00 : 10 h Machine 00 : 46 h <hr/> Cost 21,72 €	Support Removal (Manual) x Calculated on part level Labor 00 : 15 h Machine 00 : 15 h <hr/> Cost 15,01 €	Sandblasting x Calculated on part level Labor 00 : 06 h Machine 00 : 06 h <hr/> Cost 7,70 €

3D Spark – 2D to 3D Intelligence

From Drawings & Images to usable models



Convert legacy 2D technical drawings into 3D models

Transform pictures into editable CAD geometries

Accelerate spare part digitalization & digital warehouse initiatives

From Part Analysis to On-Demand Production

Scalable from 1 part to 100,000+ parts.



Automated Part Analysis

- Screen parts automatically
- Feasibility + cost evaluation
- Select best production option

Identify business case

- Quantify savings
- Prioritize high-impact parts
- Make data-driven decisions

Send to Digital Inventory System

- Generate production-ready data
- Transfer to DIS
- Store as validated digital asset

Order parts on demand

- Produce locally
- No physical stock required
- Always available

Analyze → Decide → Digitize → Produce

Thank you for your attention

Daniel Landgraf



3D SPARK



**Director Global
Sales & Marketing**

 Daniel.landgraf@3dspark.de

 +49 (0)1590 6264255